



Front dimensions: \varnothing 28 mm
Panel cut-out: \varnothing 22.3 mm
Front bezel height: 12 mm
Travel: 6 mm



reddot



Design
Award
Winner
2000



 Product configurator



RVVA

Overview RVA series



- | | |
|----------------------------|----------|
| 01 Pushbutton heads | page 318 |
| 02 Selector heads | page 319 |
| 03 Key actuators | page 320 |
| 04 Pilot light heads | page 321 |
| Contact blocks/lampholders | page 414 |

Housing colour



degree of protection



operating travel



tactile

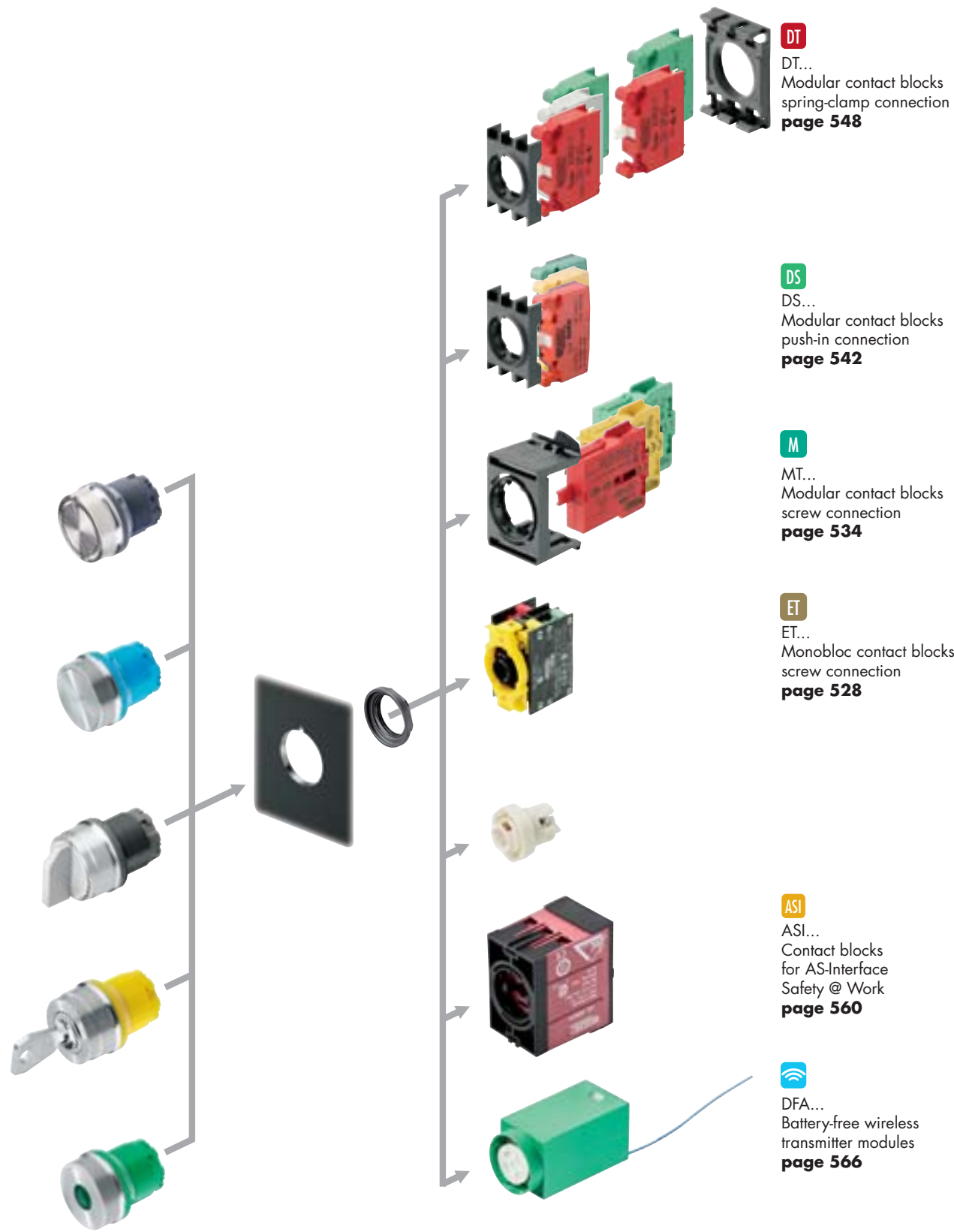


illuminating option



labelling option





DT
DT...
Modular contact blocks
spring-clamp connection
page 548

DS
DS...
Modular contact blocks
push-in connection
page 542

M
MT...
Modular contact blocks
screw connection
page 534

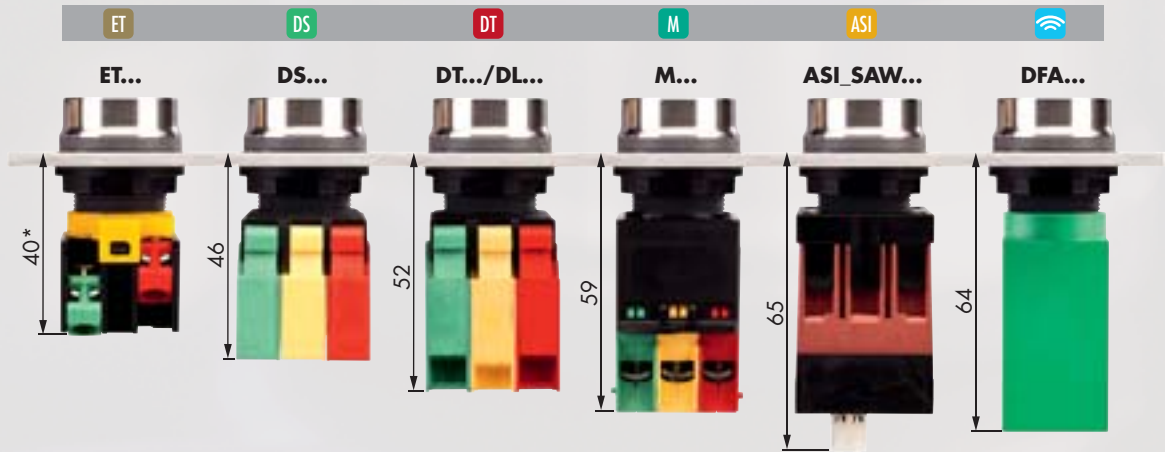
ET
ET...
Monobloc contact blocks
screw connection
page 528

ASI
ASI...
Contact blocks
for AS-Interface
Safety @ Work
page 560

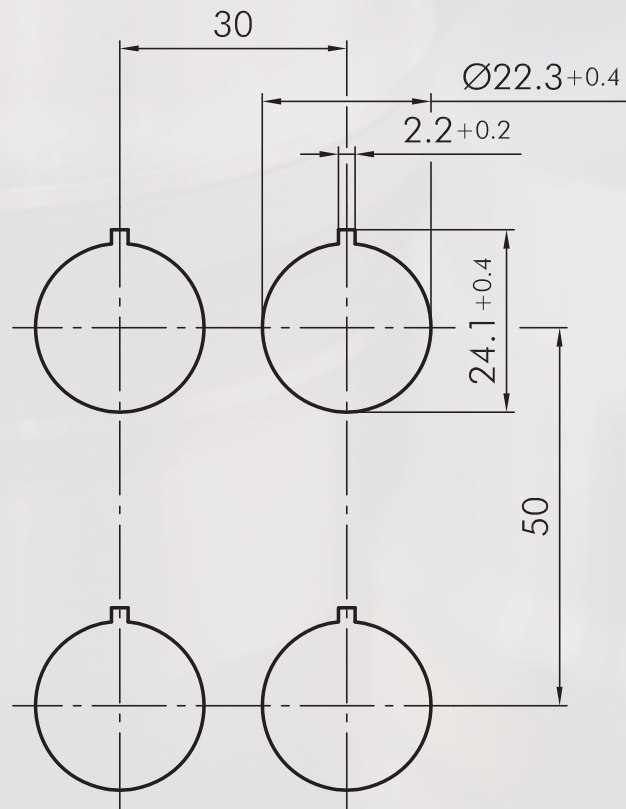
DFA
DFA...
Battery-free wireless
transmitter modules
page 566

When combining the DT... contact blocks with key, selector and toggle heads,
please add ..._497 to the actuator type reference!

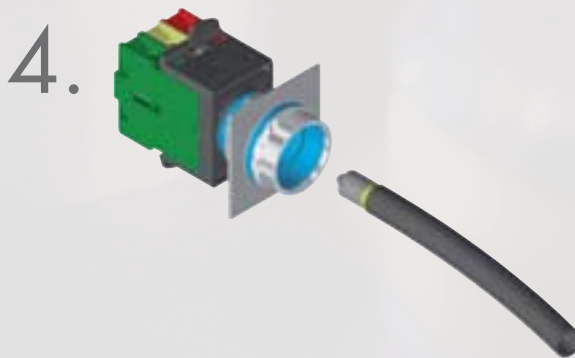
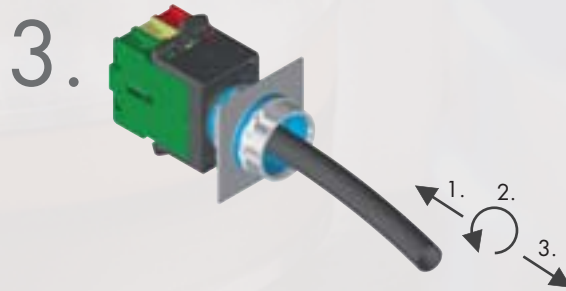
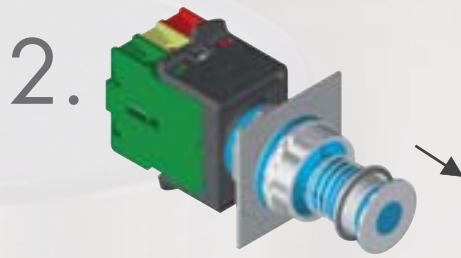
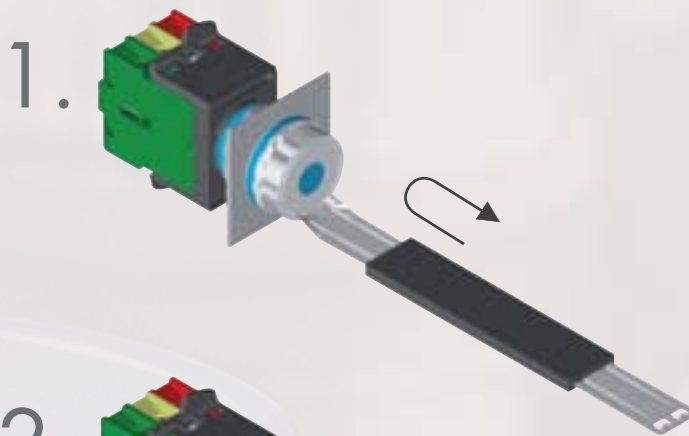
Mounting depth dimensions



Cutout dimensions



Mounting and service instructions



Pushbuttons

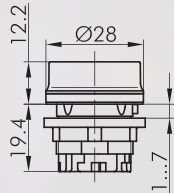
Illustration

Dimensions

Description

Type

IP69K



Pushbutton head

laser printing on request

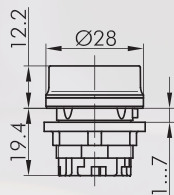
suitable contact blocks:



front bezel: stainless steel, polished

RVAT_...

IP65



Pushbutton head with ring illumination

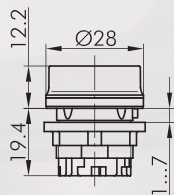
suitable contact blocks:



front bezel: stainless steel, polished

RVATLR_...

IP65



Pushbutton head with ring illumination and laser printing

incl. lens
standard imprints see nameplates from page 634
(please specify index number)
special imprints on request

suitable contact blocks:



front bezel: stainless steel, polished

RVATLRL_...

Accessories

IP67



Sealing cap

made of silicone rubber, down to -50°C

TK295

Selector Switches (momentary/maintained)

I = Switching position
> = Spring return

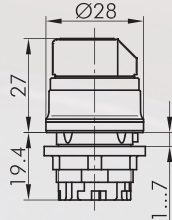
Illustration

Dimensions

Description

Type

IP65



Selector head, maintained

suitable contact blocks:

DS DT ET M

front bezel: stainless steel, polished

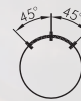


RVAWA_...

suitable contact blocks:

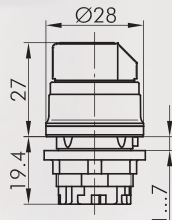
DT ET M

front bezel: stainless steel, polished



RVAWB_...

IP65



Selector head, momentary

suitable contact blocks:

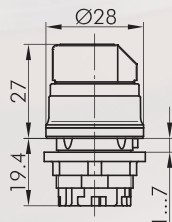
DT ET M

front bezel: stainless steel, polished



RVASTB_...

IP65



Selector head, left maintained, right momentary

suitable contact blocks:

DT ET M

front bezel: stainless steel, polished



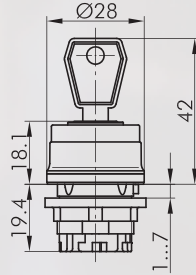
RVAWC_...

Key Switches (momentary/maintained)

I = Switching position
> = Spring return
O = Key removable position

Illustration	Dimensions	Description	Type
--------------	------------	-------------	------

IP65



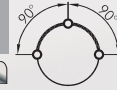
Key actuator, maintained

including two keys
other lock types on request

suitable contact blocks:

DT ET M

front bezel: stainless steel, polished

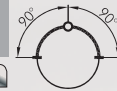


RVASSA12E...

suitable contact blocks:

DT ET M

front bezel: stainless steel, polished



RVASSA13E...

suitable contact blocks:

DS DT ET M

front bezel: stainless steel, polished



RVASSA14E...

suitable contact blocks:

DS DT ET M

front bezel: stainless steel, polished



RVASSA15E...

suitable contact blocks:

DS DT ET M

front bezel: stainless steel, polished



RVASSA17E...

suitable contact blocks:

DS DT ET M

front bezel: stainless steel, polished



RVASSA18E...

Accessories



Spare key (standard)

ESE845

standard spare key, specify key number for special locks

Pilot Lights

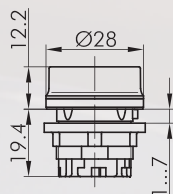
Illustration

Dimensions

Description

Type

IP69K



Pilot light head

suitable lampholders:

DS DT ET M

front bezel: stainless steel, polished



RVAN_...

Accessories



Mounting tool 22

S22

with torque limitation
for the series QUARTEX-R(-JUWEL), KOMBITAST-R-JUWEL,
RONDEX, RONDEX-M, RONDEX-JUWEL, RVA, DUX-Basic,
SHORTRON, jacks of the ranges RONTRON-R/-Q-JUWEL



Mounting tool adapter with 1/4" connections

SRA

for mounting tools S16 and S22



Universal lens remover

USK

About Us

→ Pushbuttons
and Switches

Panel Mount Jacks

Emergency-Stop Buttons

Bus Technology

RFID

Enclosures

Pedal Switches

Terminal Blocks

Type Index